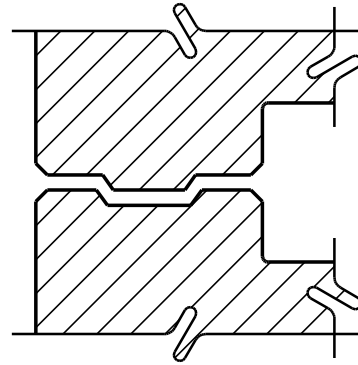
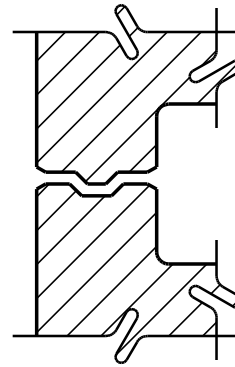


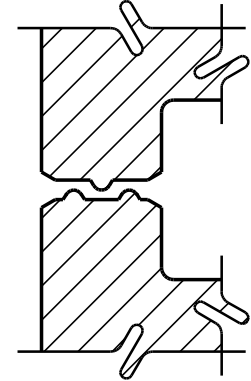
3-POINT



WIDE  
3-POINT



NARROW  
3-POINT

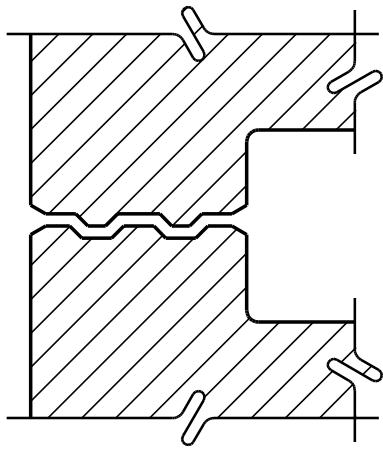


RADIUSED BEAD  
3-POINT

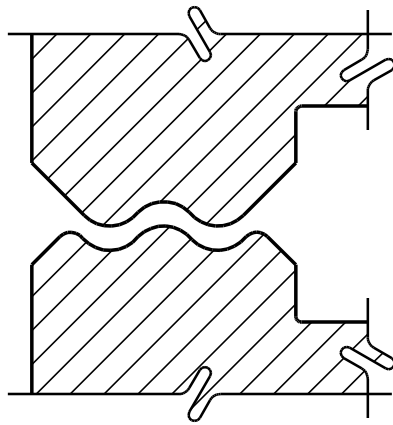
TITLE:	3-POINT PROFILES
--------	------------------

	<b>L. E. SAUER MACHINE CO.</b> 3535 TREE COURT INDUSTRIAL BOULEVARD ST. LOUIS, MO. 63122
---	--

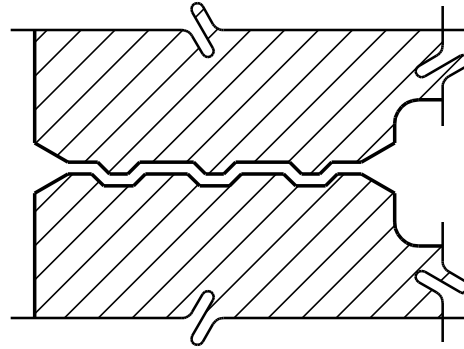
DRAWN BY:	
BEJ	02-08-16
CHECKED BY:	
BEJ	02-08-16
SCALE:	FULL



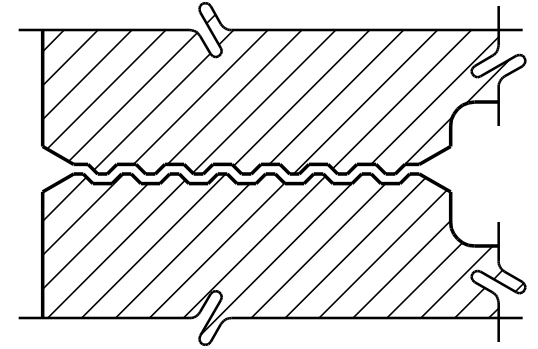
5-POINT



RADIUSED BEAD  
5-POINT



7-POINT

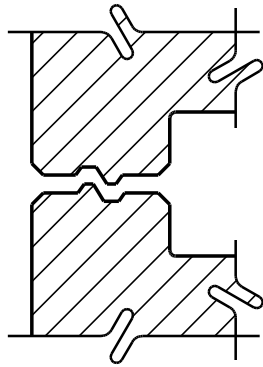


15-POINT

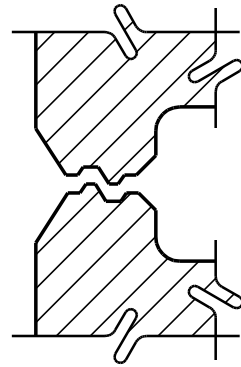
TITLE:	MULTI-POINT PROFILES
--------	----------------------

	<b>L. E. SAUER MACHINE CO.</b>
	3535 TREE COURT INDUSTRIAL BOULEVARD
	ST. LOUIS, MO. 63122

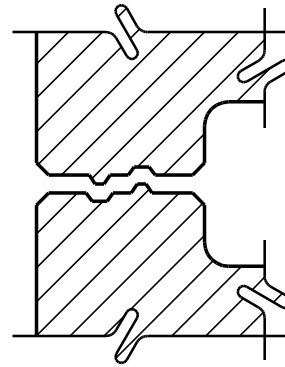
DRAWN BY:	
BEJ	02-09-16
CHECKED BY:	
BEJ	02-09-16
SCALE:	FULL



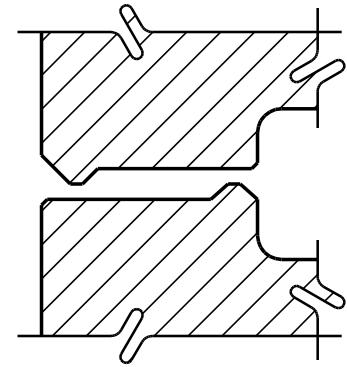
OFFSET



NARROW  
OFFSET



FIXED CENTER  
BEAD-VALLEY  
OFFSET

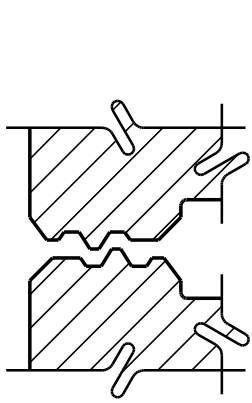


ADJUSTABLE  
CENTER POINT  
TO FLAT

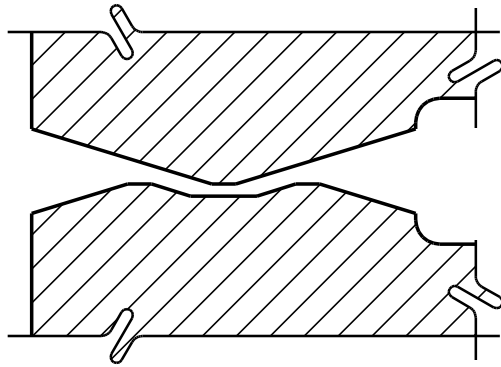
TITLE:	OFFSET PROFILES
--------	-----------------

	<b>L. E. SAUER MACHINE CO.</b> 3535 TREE COURT INDUSTRIAL BOULEVARD ST. LOUIS, MO. 63122
---	--

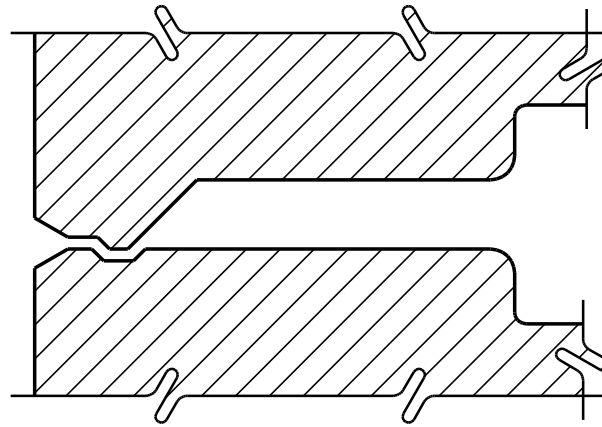
DRAWN BY:	
BEJ	02-09-16
CHECKED BY:	
BEJ	02-09-16
SCALE:	FULL



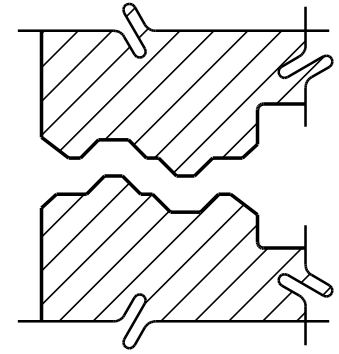
MULTI  
PURPOSE



V-SHAPE



3-POINT  
CRUSH



FIXED  
CENTER  
GANG

TITLE:	SPECIAL PROFILES
--------	------------------

	<b>L. E. SAUER MACHINE CO.</b>
	3535 TREE COURT INDUSTRIAL BOULEVARD
	ST. LOUIS, MO. 63122

DRAWN BY:	
BEJ	02-09-16
CHECKED BY:	
BEJ	02-09-16
SCALE:	FULL