

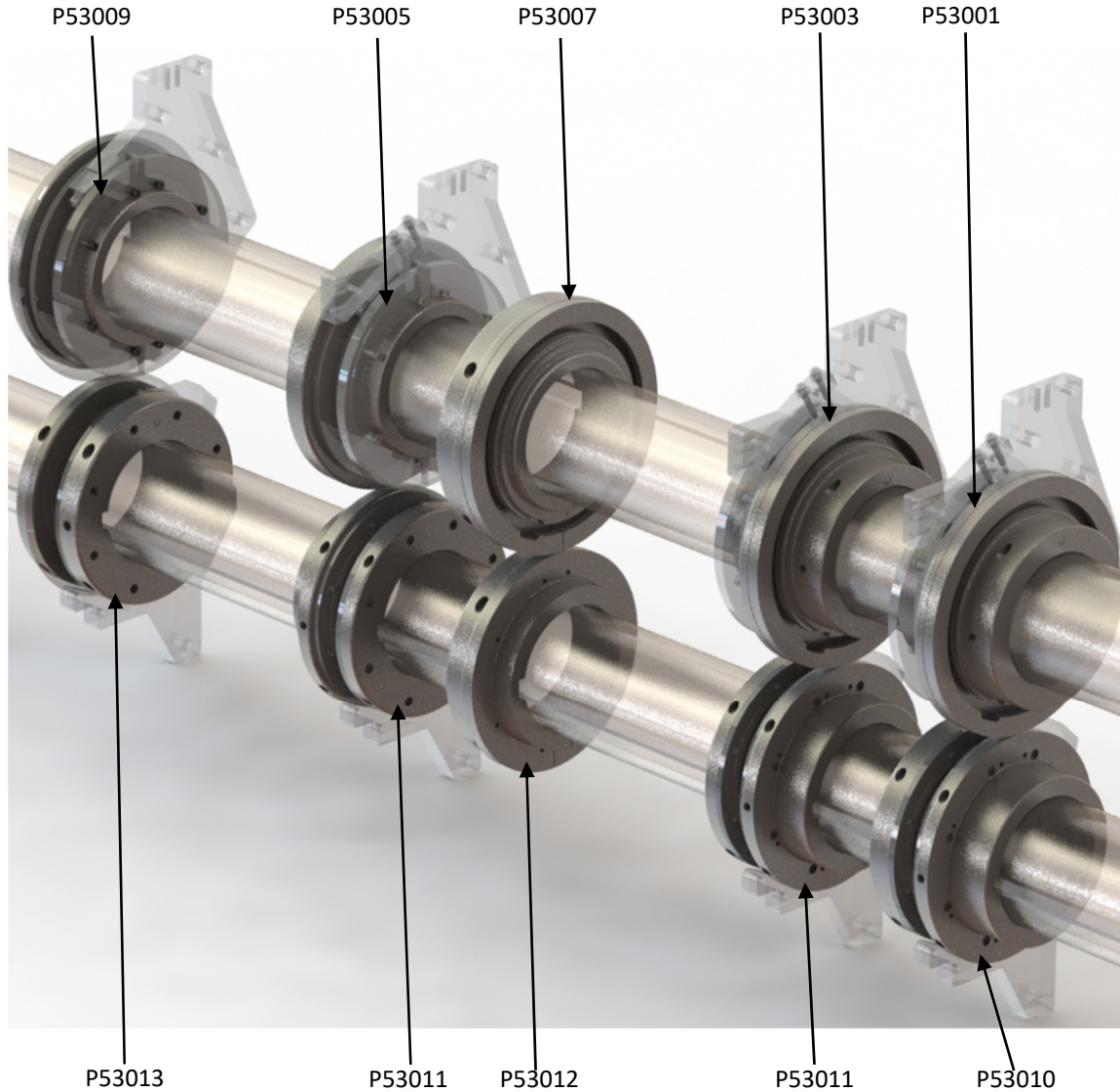


37-1/2" SATURN HEADS AND YOKES GUIDE

SLOTTER SHAFTS

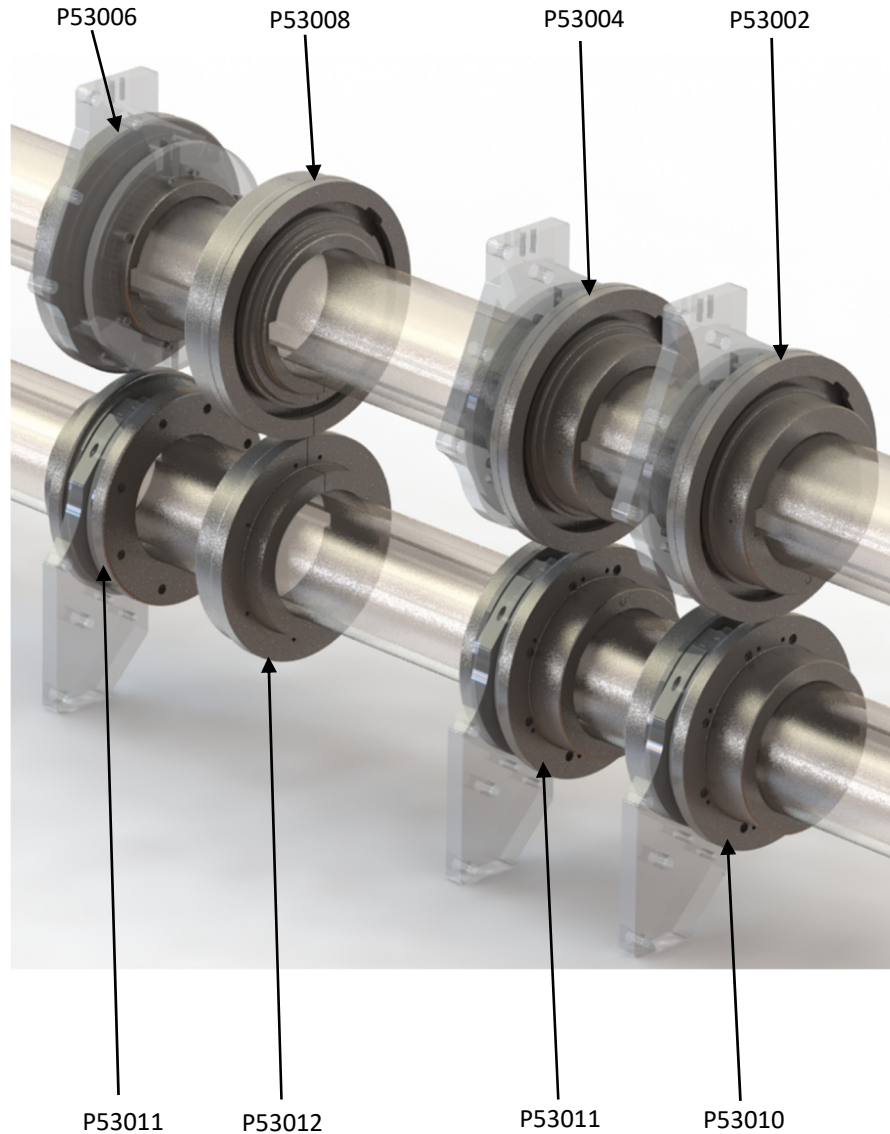
LEAD SLOTTER HEADS

BOARD TRAVEL



P53001	Yoked Upper Glue Tab Head OEM # 418825
P53003	Yoked Upper Slotter Head OEM # 407976
P53005	Yoked Upper Slotter Head OEM # 407978
P53007	Fixed Upper Slotter Head OEM # 407975
P53009	Yoked Upper Trim Knife Hub OEM # 256181
P53010	Yoked Lower Glue Tab Head OEM # 256184
P53011	Yoked Lower Slotter Head OEM # 256182
P53012	Fixed Lower Slotter Head OEM # 256183
P53013	Yoked Lower Trim Knife Hub OEM # 256185

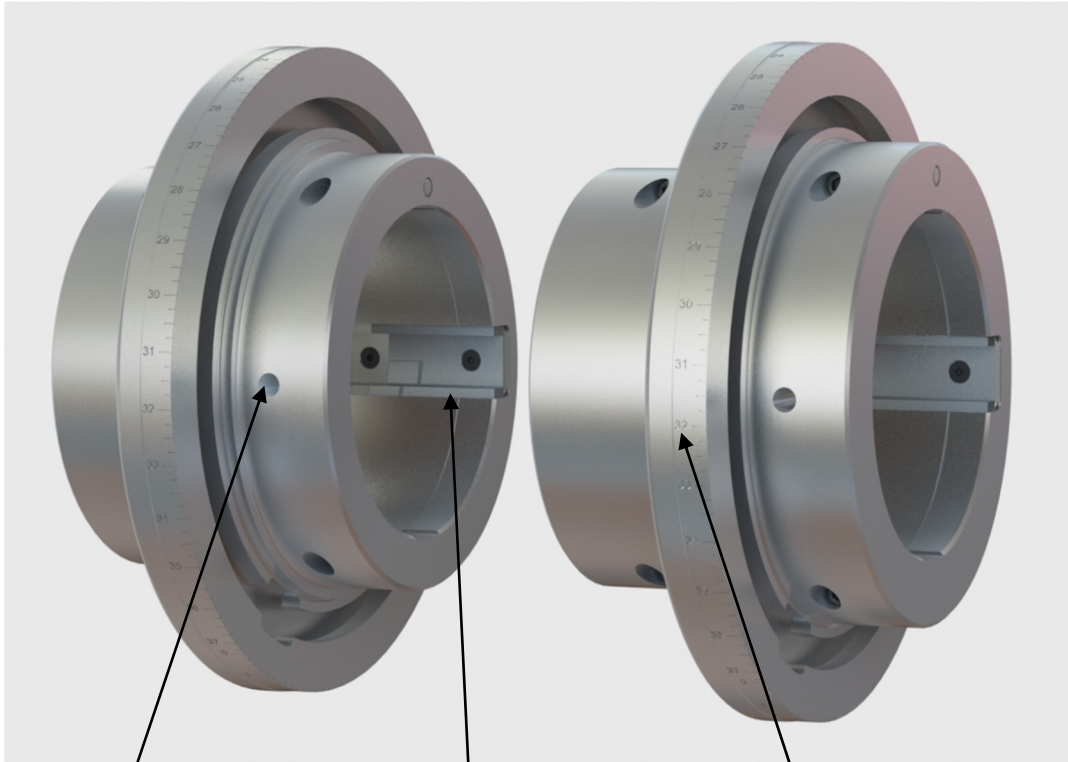
TRAIL SLOTTER HEADS



BOARD TRAVEL



P53002	Yoked Upper Glue Tab Head OEM # 407893
P53004	Yoked Upper Slotter Head OEM # 407890
P53006	Yoked Upper Slotter Head OEM # 407891
P53008	Fixed Upper Slotter Head OEM # 407892
P53011	Yoked Lower Slotter Head OEM # 256182
P53012	Fixed Lower Slotter Head OEM # 256183
P53013	Yoked Lower Trim Knife Hub OEM # 256185



**UPPER GLUE TAB HEAD AND
UPPER SLOTTED HEAD
FEATURES AND DEFINITIONS**

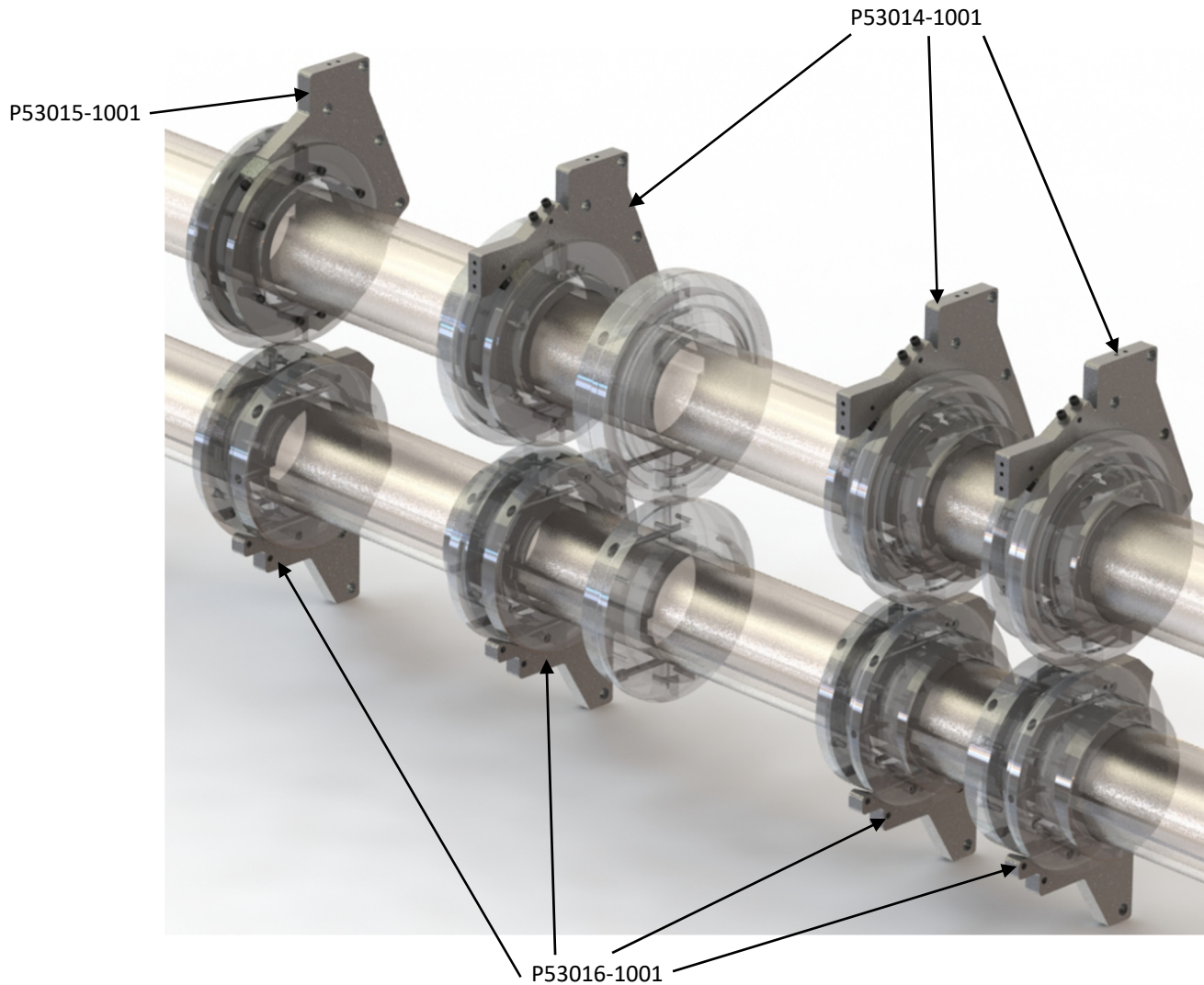
Emergency Set Screw Hole
(all yoked heads)

Replaceable insert keyway

Optional full index stamping

LEAD SLOTTER SHAFT YOKES

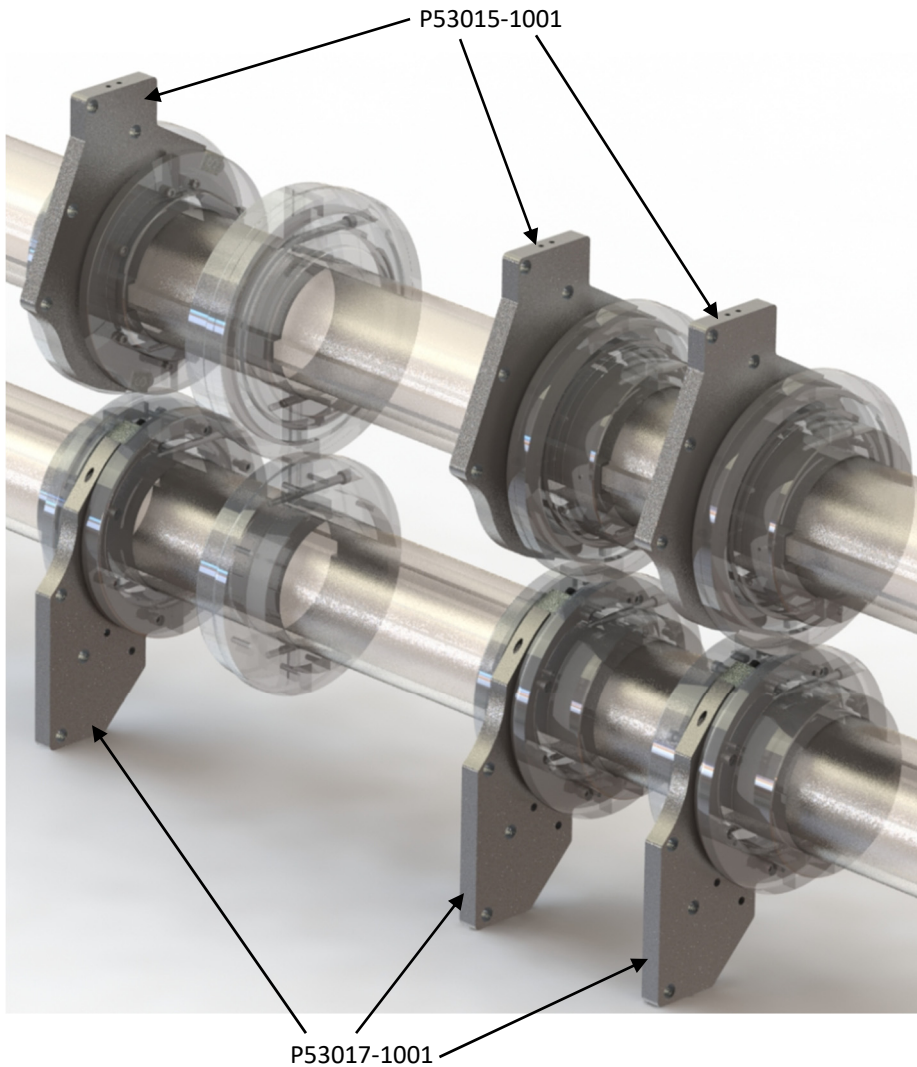
BOARD TRAVEL



P53014-1001	Upper Slotter Shoe Assy Lead Slotters
P53015-1001	Upper Slotter Shoe Assy Trim Knife Position
P53016-1001	Lower Slotter Shoe Assy Lead Positions

TRAIL SLOTTER SHAFT YOKES

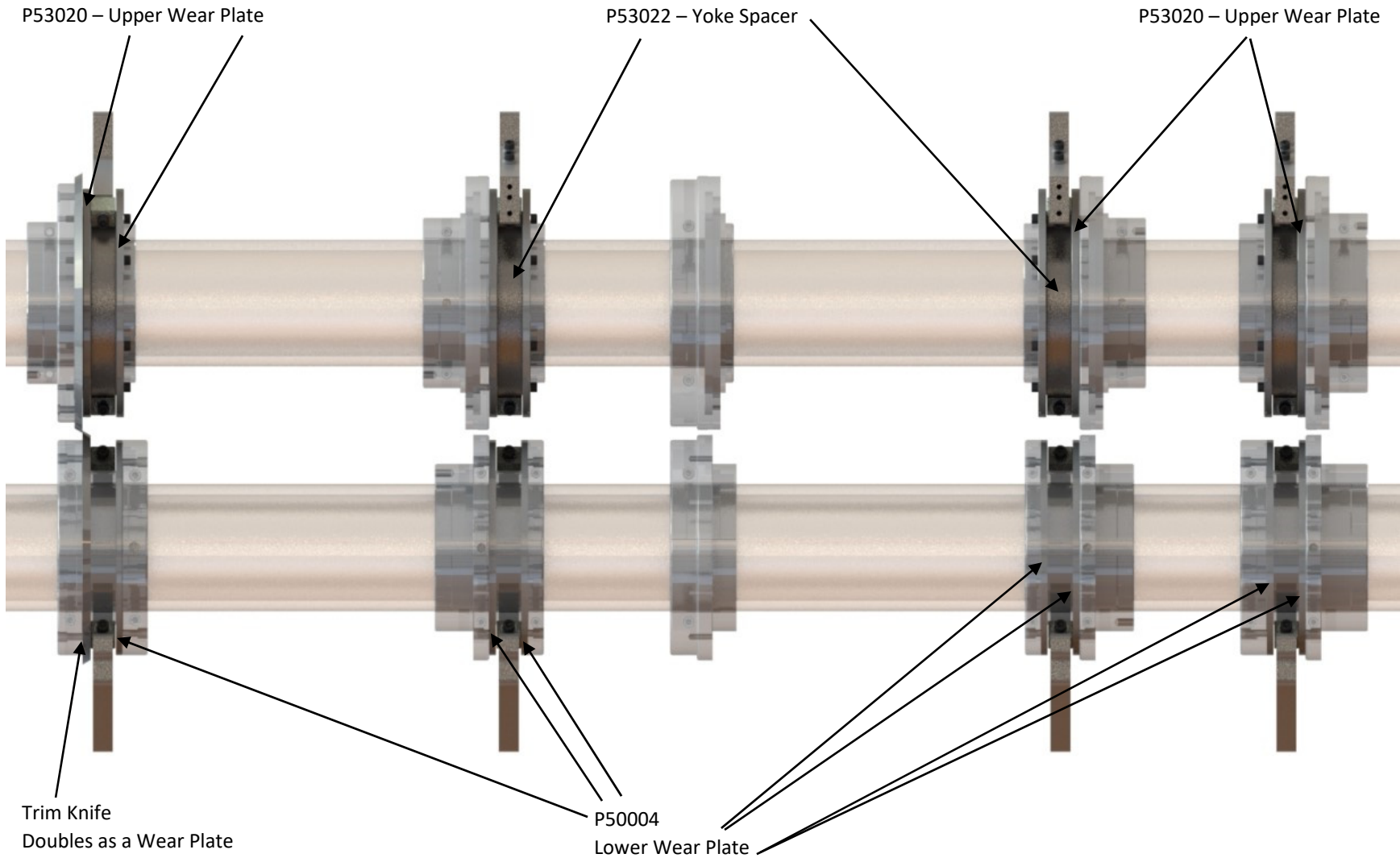
BOARD TRAVEL



P53015-1001	Upper Slotter Shoe Assy Lead Slotters
P53017-1001	Lower Slotter Shoe Assy Lead Slotters

LEAD SLOTTER SHAFT WEAR PLATES

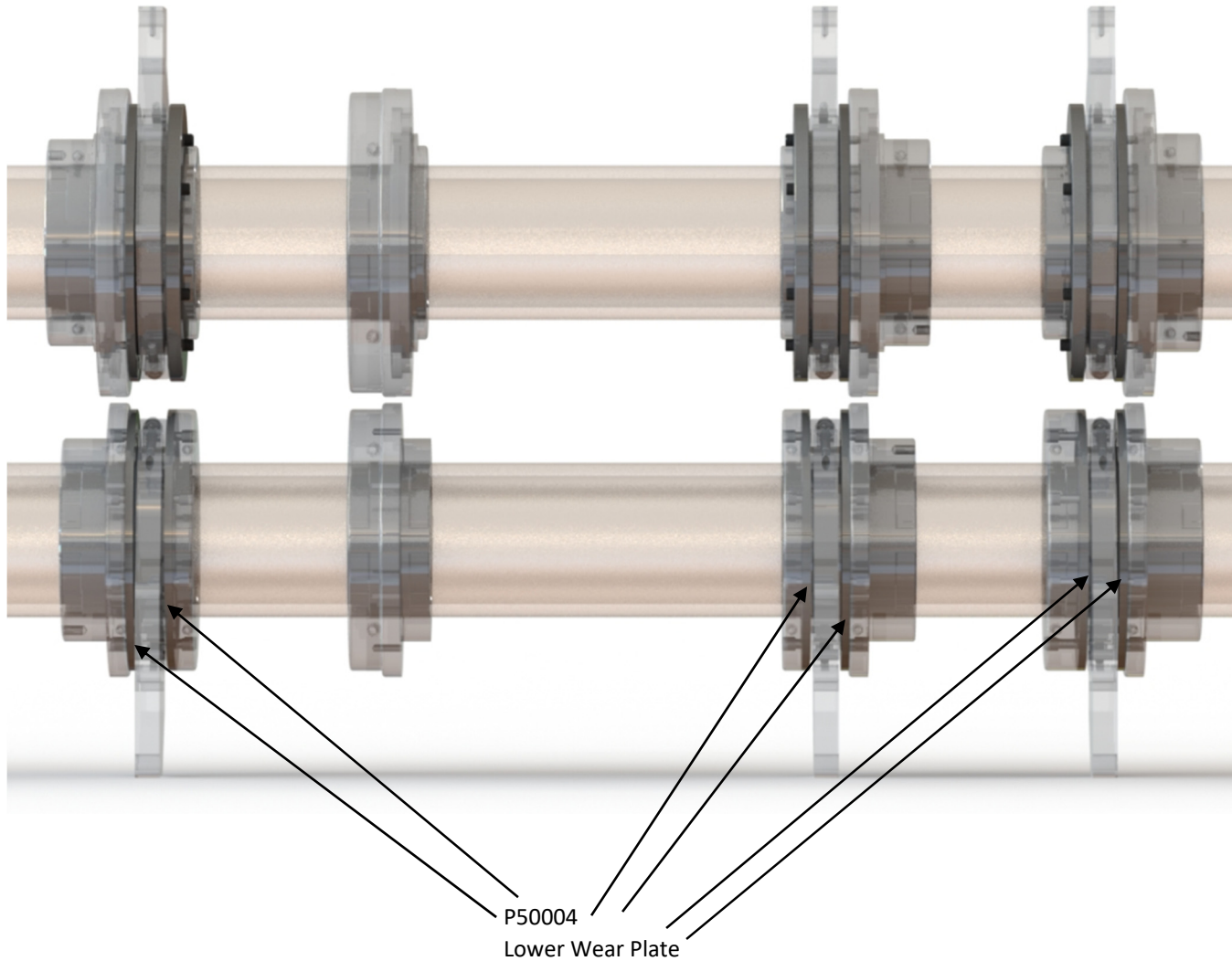
BOARD TRAVEL



TRAIL SLOTTER SHAFT WEAR PLATES

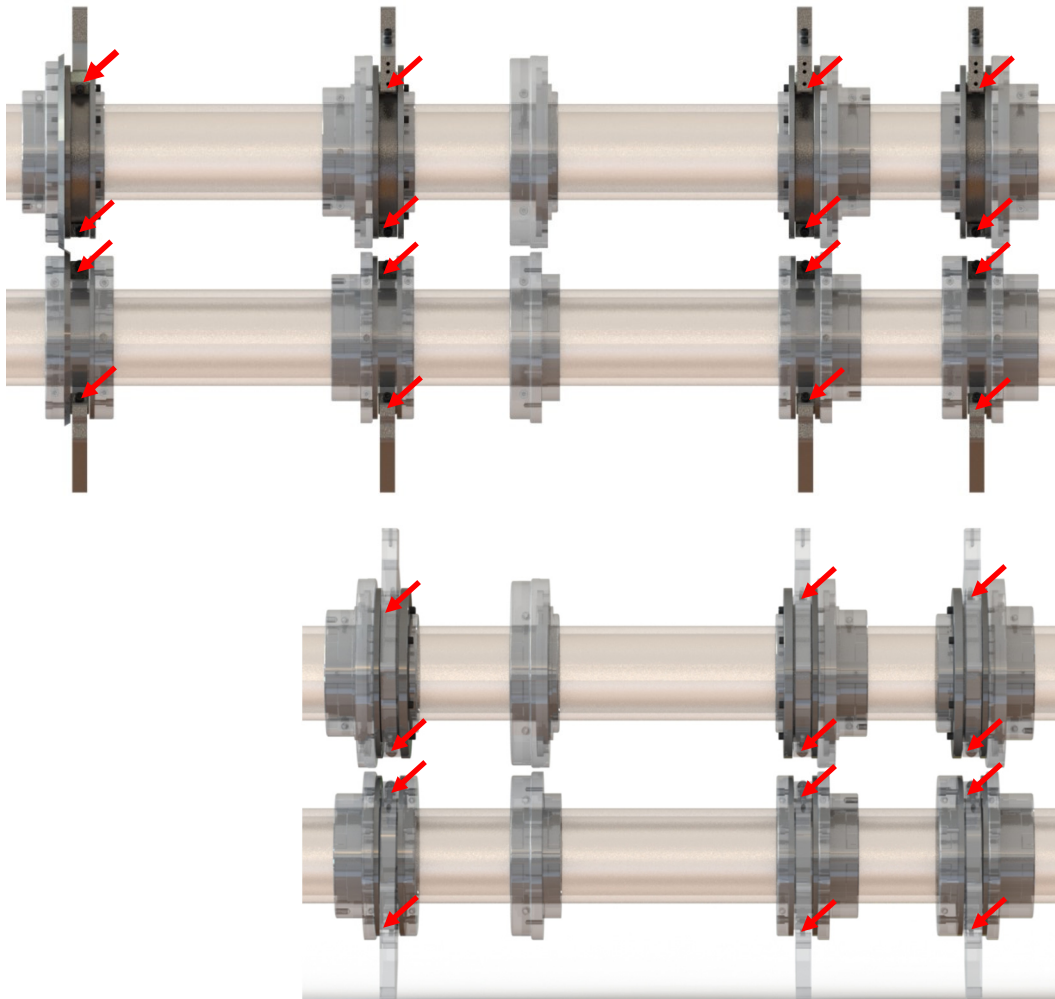
Same Upper Yoke Plate Configuration as lead shaft

BOARD TRAVEL



SLOTTER SHAFT YOKE BLOCKS

BOARD TRAVEL



LEAD SLOTTING SHAFT

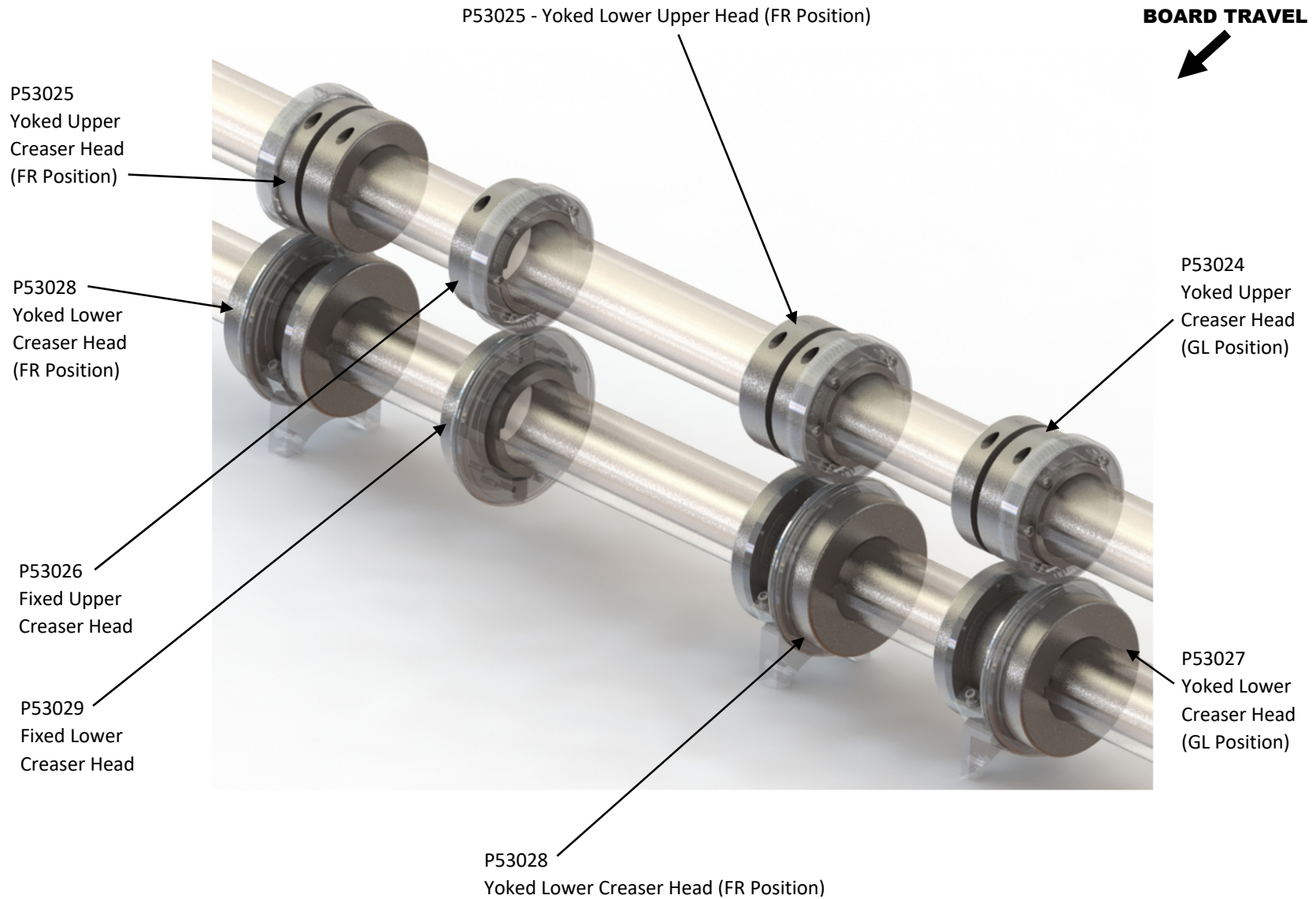
P11606	Yoke Wear Block Assy 1.188" Yoke
16 pcs. required	

TRAIL SLOTTING SHAFT

P11606	Yoke Wear Block Assy 1.188" Yoke
12 pcs. required	

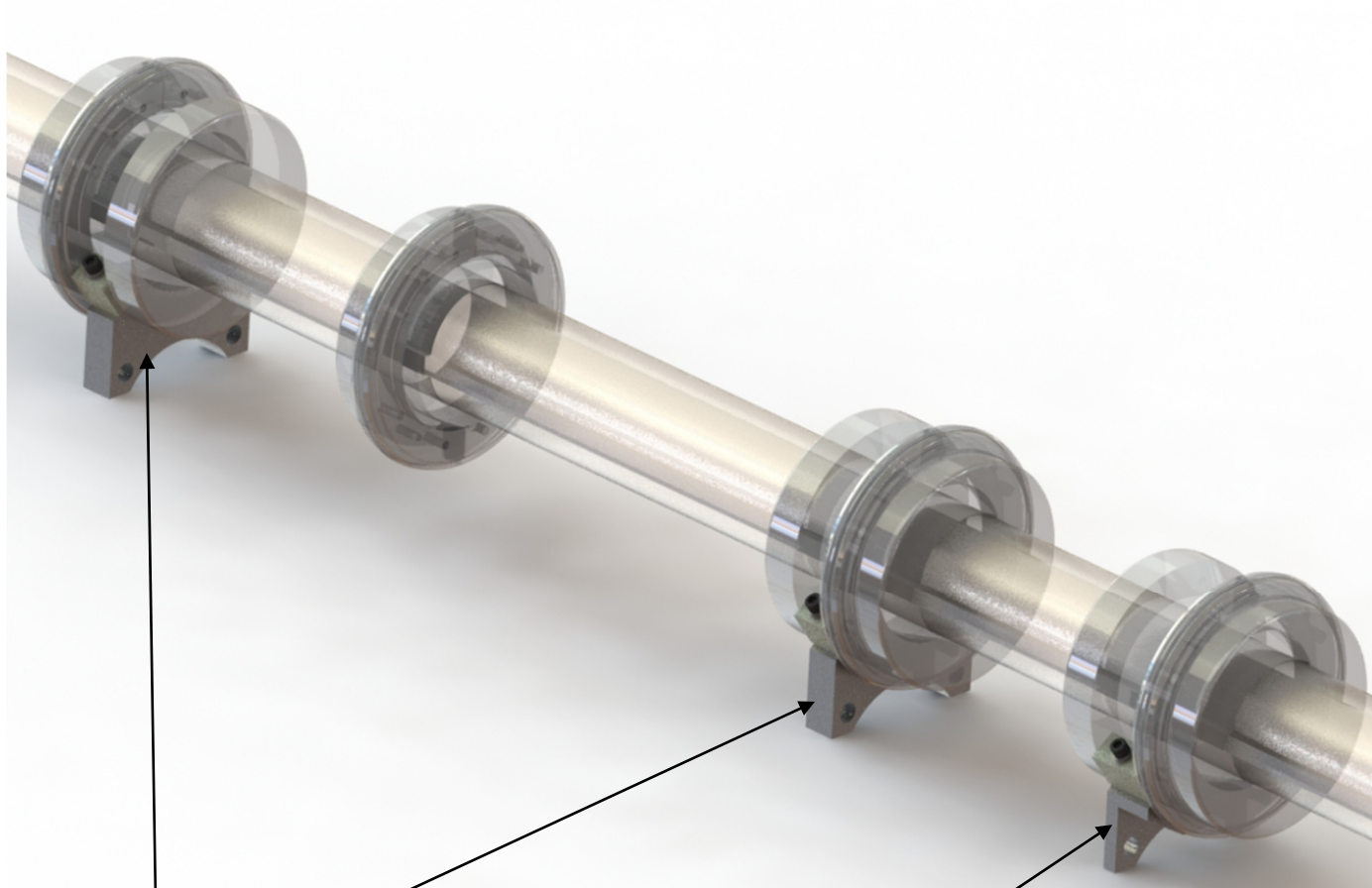
CREASER SHAFTS

CREASER BASE HEADS



CREASER YOKES

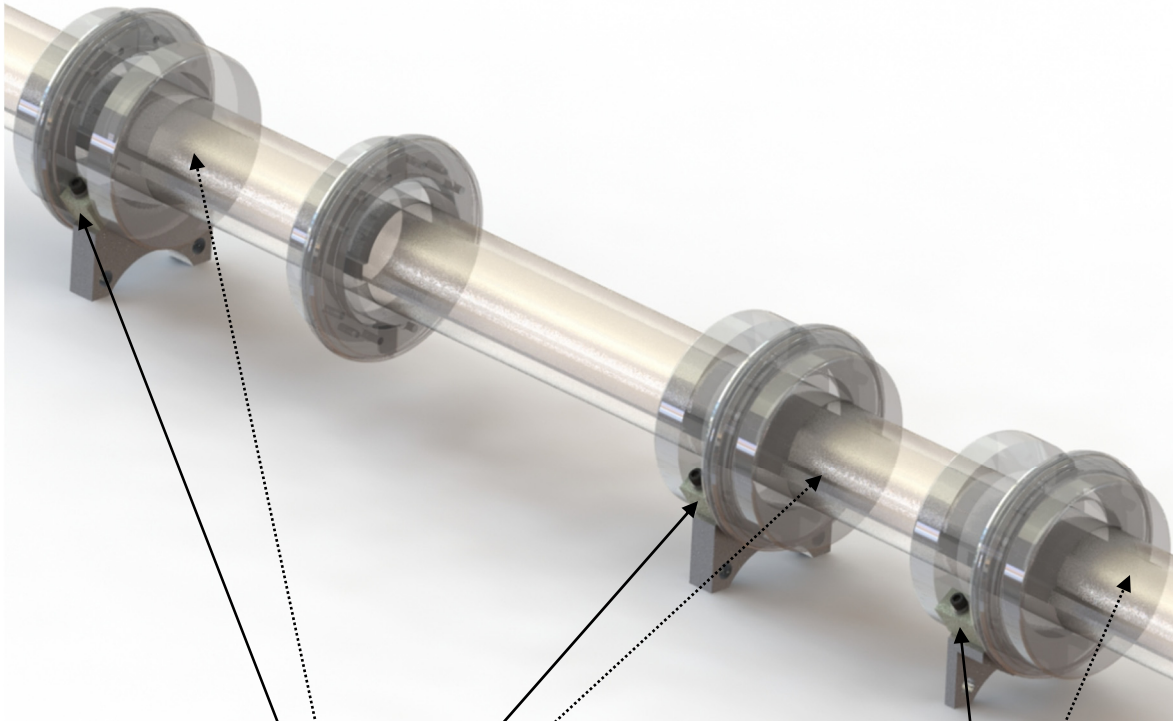
BOARD TRAVEL



P53018-1001
Lower Creaser Shoe Assy
Folding Rail Position

P53019-1001
Lower Creaser Shoe Assy
Glue Lap Position

CREASER SHAFT YOKE BLOCKS



BOARD TRAVEL



GLUE TAB CREASER YOKE

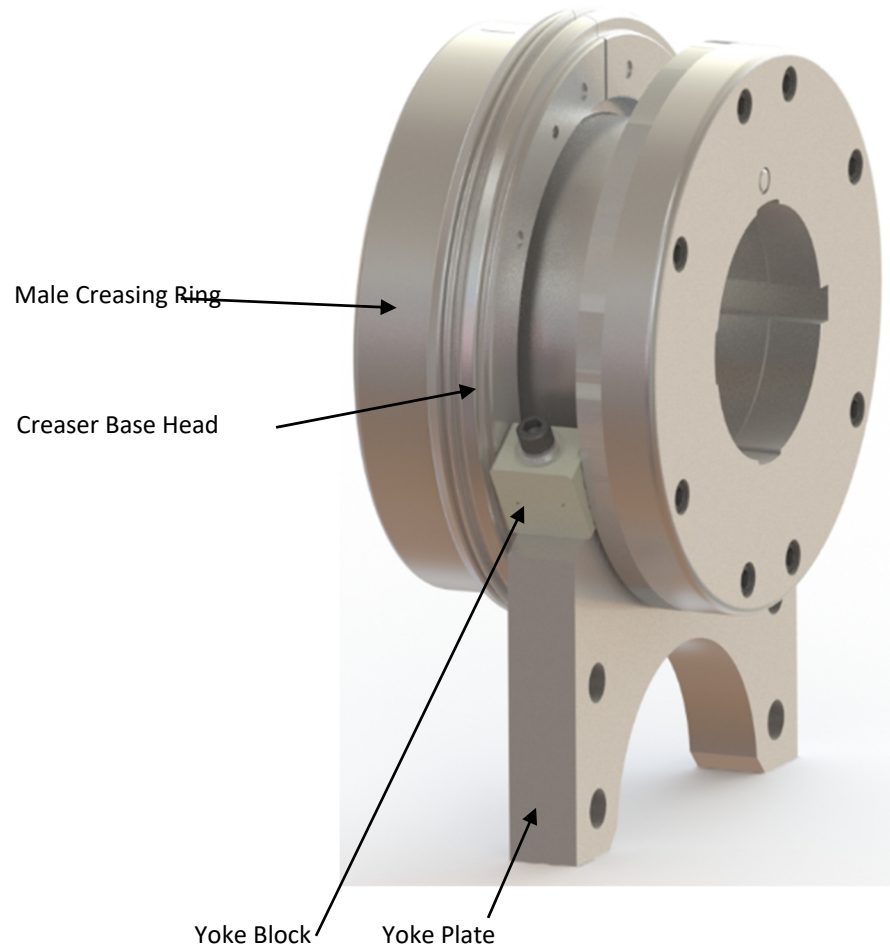
P11654	Yoke Wear Block Assy 1.813" Yoke
2 pcs. required	

FOLDING RAIL CREASER YOKES

P11655	Yoke Wear Block Assy 1.250" Yoke
4 pcs. required	

P11655
 Yoke Wear Block Assy – 1.250" Yoke

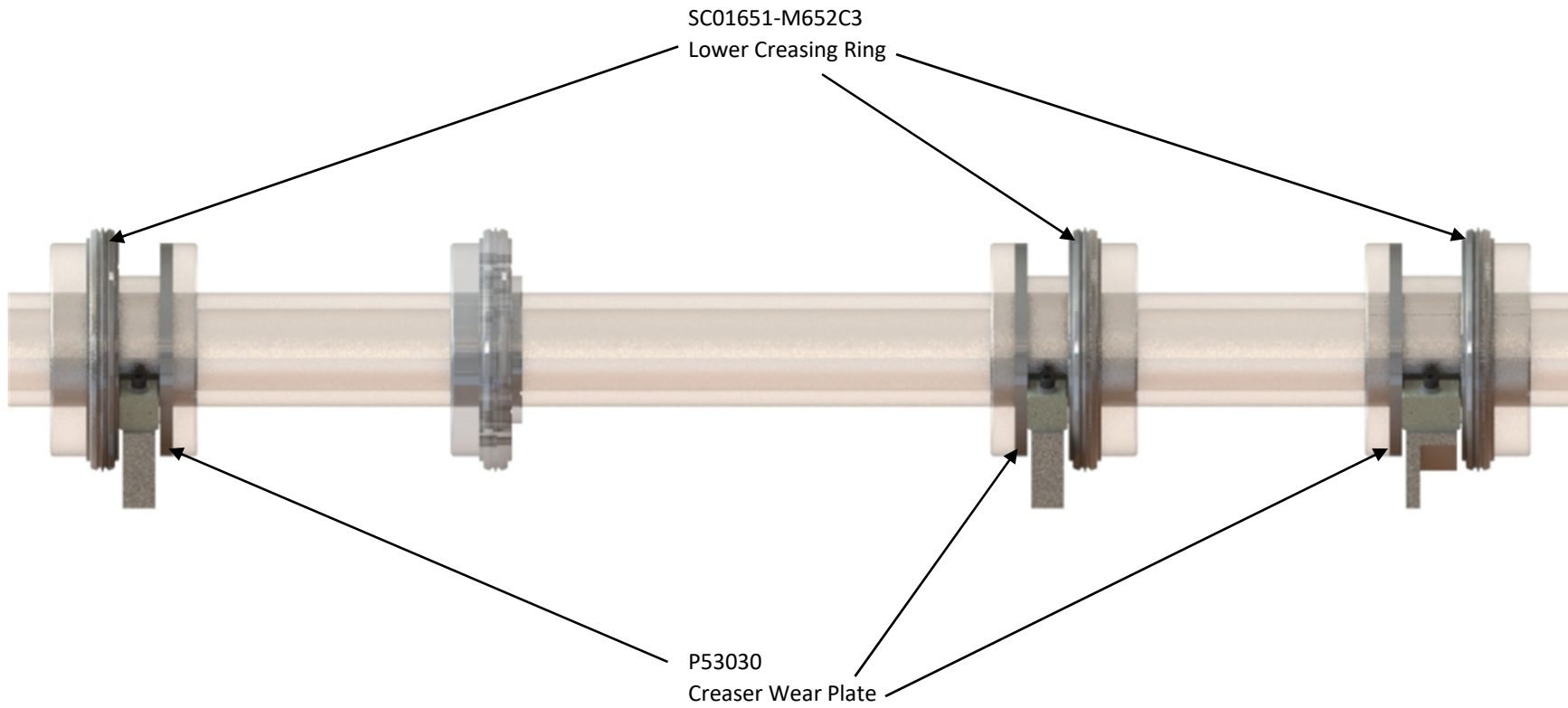
P11654
 Yoke Wear Block Assy – 1.813" Yoke



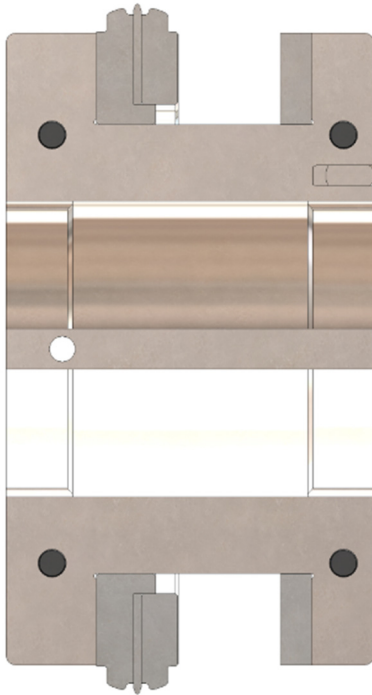
**CREASER YOKE
COMPONENT DEFINITIONS**

**CREASER WEAR PLATES
AND CREASING RINGS**

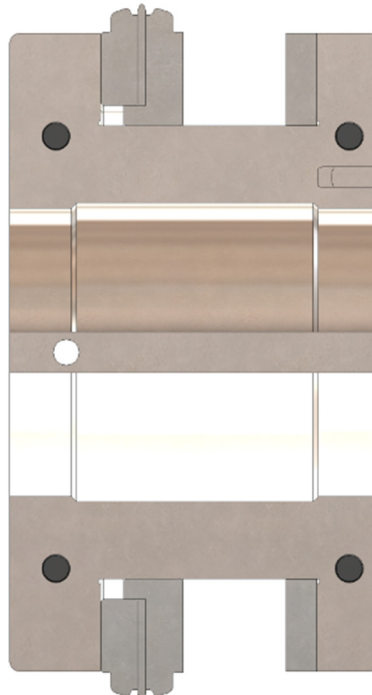
BOARD TRAVEL



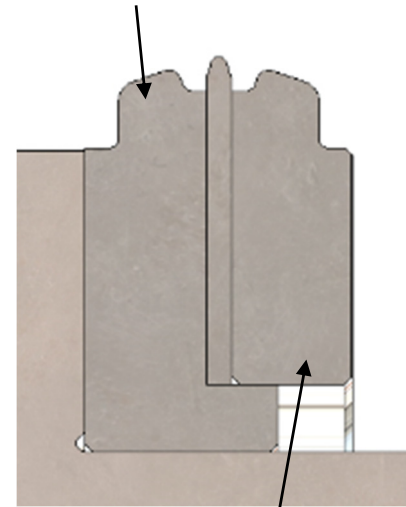
Correct



Incorrect



Unhardened Ring Body



Hardened Clamp Ring

CORRECT INSTALLATION OF LOWER SCORE RINGS