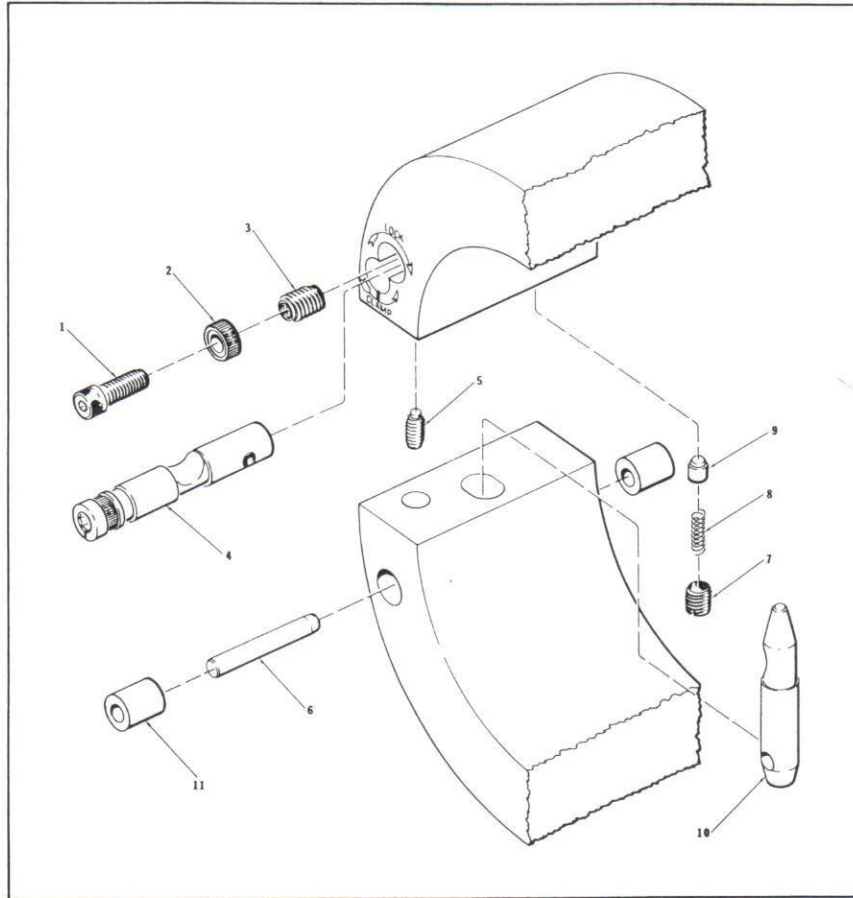


# SAUER SYSTEM KAM-LOK



Item No.	Description
1	LOCKING SCREW
2	LOCKING WHEEL
3	ROSAN INSERT
4	CLAMPING SHAFT
5	SHAFT RETAINING SCREW
6	DOWEL PIN
7	CAP
8	SPRING
9	PLUNGER
10	CLAMPING PIN
11	DOWEL PIN BUSHING

*Furnished as assembly*

i

U.S. PATENT NO. 3,871,777